



ZHEJIANG UNIÜ-NE Technology CO., LTD

浙江宇力微新能源科技有限公司



2181/2183 Data Sheet

V 1.1

版权归浙江宇力微新能源科技有限公司

High Current IO+/- 2.2/2.7A HALF-BRIDGE DRIVER

General Description

The 2181/2183 Fully operated to +600V is high voltage, high speed power MOSFET and IGBT driver with dependent high and low side referenced output channels.

The logic input is compatible with standard CMOS or LSTTL output, down to 3.3V logic. The output drivers feature a high pulse current buffer stage designed for minimum driver cross-conduction. The floating channel can be used to drive an N-channel power MOSFET or IGBT in the high side configuration which operates up to 600 volts.

Product Summary

V _{OFFSET}	600V max
IO+/-	2.2A /2.7A
VCC	9V & 4.5V ~ 21V
ton/off (typ.)	200 & 154 ns
Deadtime (typ.)	50&420 ns
Work Tem	-40 ~ 150 °C

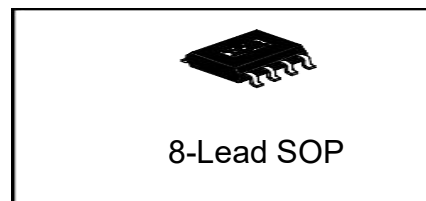
Key Features

- Floating channel designed for bootstrap operation
- Fully operational to +600V
- Tolerant to negative transient voltage dV/dt immune
- Gate drive supply range from 9V (4.5V) to 21V
- Undervoltage lockout
- 3.3V, 5V and 15V input logic compatible
- Cross-conduction prevention logic
- Matched propagation delay for both channels

Applications

- Home appliances
- Industrial applications and drives
- Motor drivers
- DC, AC, PMDC and PMAC motors
- Induction heating
- HVAC

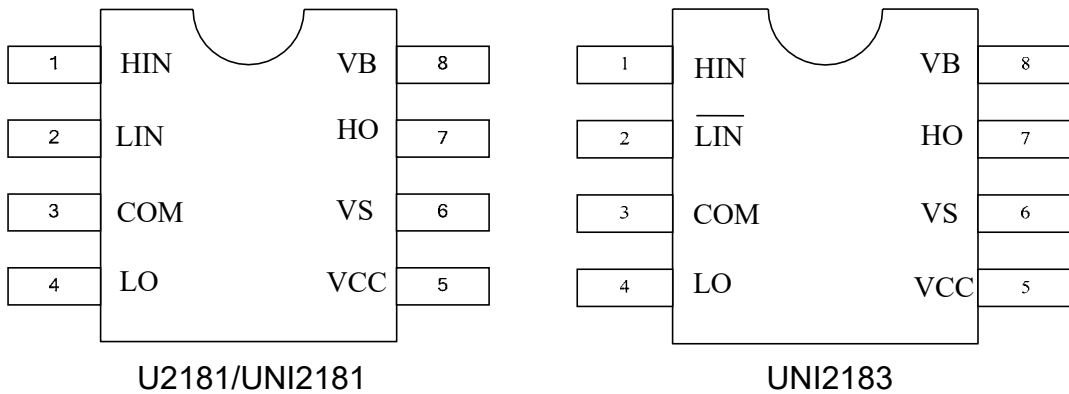
Packages



Products Information

Base Part Number	Package Type	Standard OUT		Logic Control	Cross-conduction prevention logic	Undervoltage lockout	VCC
		IO+	IO-				
UNI2181	SOP8	2.2A	2.7A	HIN & LIN	N	Y	9V~21V
U2181	SOP8	2.2A	2.7A	HIN & LIN	Y	N	4.5V~21V
UNI2183	SOP8	2.2A	2.7A	HIN & $\overline{\text{LIN}}$	Y	Y	9V~21V

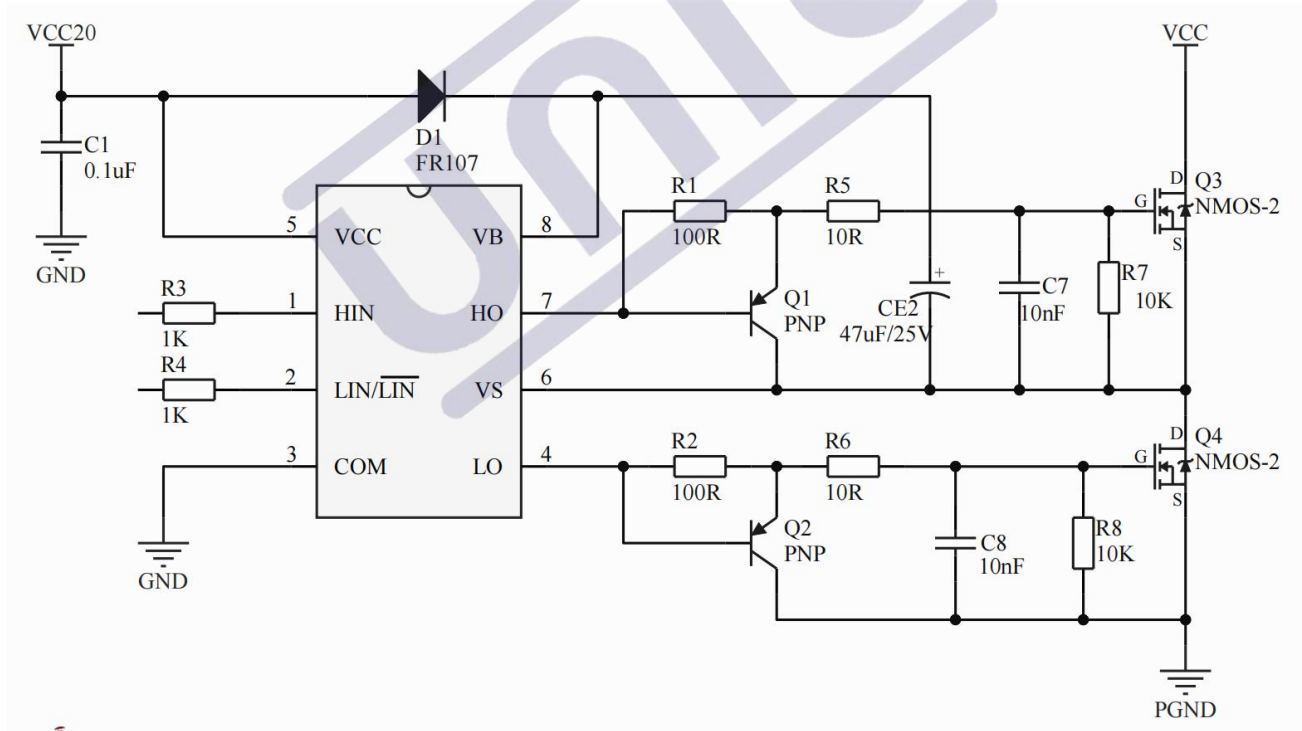
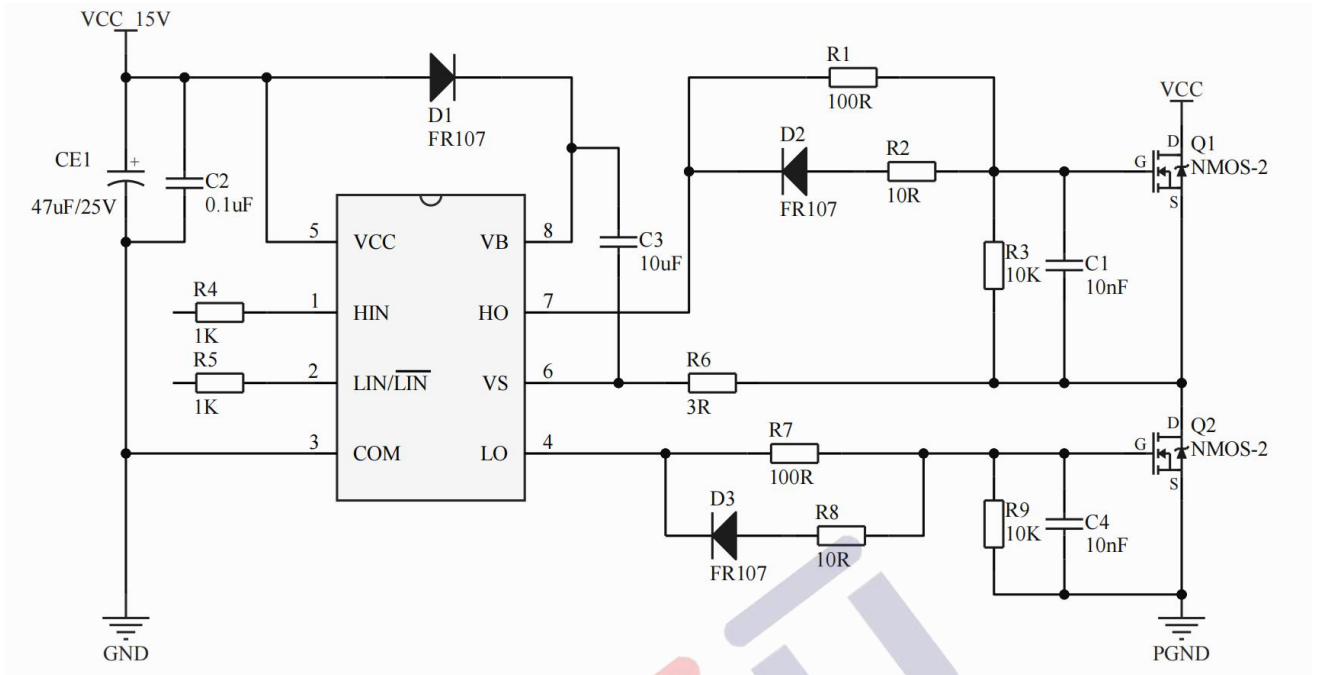
Pin Assignments



Pin Function

Number	Symbol	Description
1	HIN	Logic input for high side gate driver outputs (HO), in phase
2	LIN	Logic input for low side gate driver outputs (LO), in phase
	$\overline{\text{LIN}}$	Logic input for low side gate driver outputs (LO), out of phase
3	COM	Low side GND
4	LO	Low side gate drive output
5	VCC	Low side and logic fixed supply
6	VS	High side floating supply return
7	HO	High side gate drive output
8	VB	High side floating supply

Typical Connection



Much Big POWER application

1.版本记录

DATE	REV.	DESCRIPTION
2018/04/19	1.0	First Release
2021/11/04	1.1	Layout adjustment

2.免责声明

浙江宇力微新能源科技有限公司保留对本文档的更改和解释权力，不另行通知! 客户在下单前应获取我司最新版本资料，并验证相关信息是否最新和完整。量产方案需使用方自行验证并自担所有批量风险责任。未经我司授权，该文件不得私自复制和修改。产品不断提升，以追求高品质、稳定性强、可靠性高、环保、节能、高效为目标，我司将竭诚为客户提供性价比高的系统开发方案、技术支持等更优秀的服务。

版权所有 浙江宇力微新能源科技有限公司/绍兴宇力半导体有限公司

3.联系我们

浙江宇力微新能源科技有限公司

总部地址：绍兴市越城区斗门街道袍渎路25号中节能科创园45幢4/5楼

电话：0575-85087896（研发部）

传真：0575-88125157

E-mail: htw@uni-semic.com

无锡地址：无锡市锡山区先锋中路6号中国电子（无锡）数字芯城1#综合楼503室

电话：0510-85297939

E-mail: zh@uni-semic.com

深圳地址：深圳市宝安区西乡街道南昌社区宝源路泳辉国际商务大厦410

电话：0755-84510976

E-mail: htw@uni-semic.com